

Technical data sheet



Product features

Janitorial sink combined with tap feet 60 cm

Model	SAP Code	00005100
VKN 60 B	A group of articles - web	Accessories



- Material: Stainless steel
- Width of internal part [mm]: 400
- Depth of internal part [mm]: 400
- Height of internal part [mm]: 200

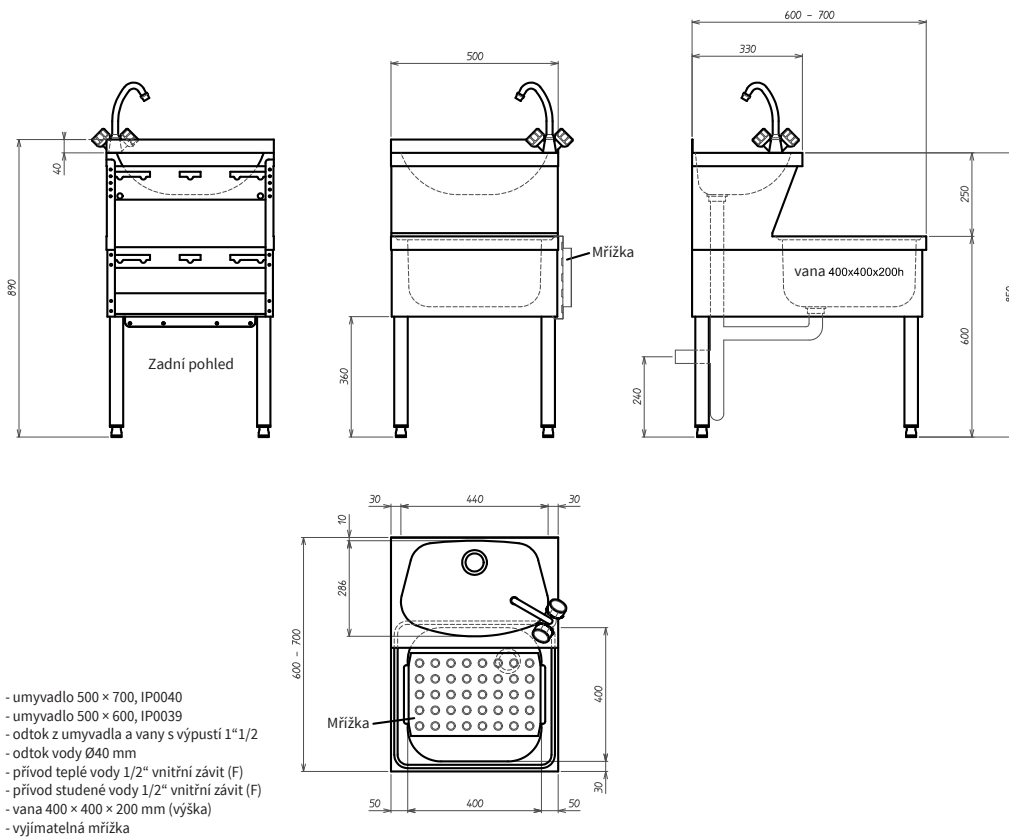
Technical data sheet

Technical drawing



Janitorial sink combined with tap feet 60 cm

Model	SAP Code	00005100
VKN 60 B	A group of articles - web	Accessories



Technical data sheet



Technical parameters

Janitorial sink combined with tap feet 60 cm

Model	SAP Code	00005100
VKN 60 B	A group of articles - web	Accessories

1. SAP Code:

00005100

2. Net Width [mm]:

500

3. Net Depth [mm]:

600

4. Net Height [mm]:

850

5. Net Weight [kg]:

15.00

6. Gross Width [mm]:

550

7. Gross depth [mm]:

650

8. Gross Height [mm]:

900

9. Gross Weight [kg]:

16.50

10. Material:

Stainless steel

11. Width of internal part [mm]:

400

12. Depth of internal part [mm]:

400

13. Height of internal part [mm]:

200